

AZZURRI PREMIUM PRO - with advanced fridge

FULLY AUTOMATIC BEAN
TO CUP COFFEE MACHINE

INDUSTRY LEADING EQUIPMENT



A stylised bean to cup coffee machine for use with fresh beans and fresh milk to produce a variety of **premium hot drink options**



SCREEN DISPLAY

Intuitive 10" HD Android touch display screen display allows for easy selection 30 hot drink options



DIGITAL CONTROL AND DISPLAY

Microprocessor control provides access to system settings and additional functions. Digital interface displays critical info on system status,



SERVING SIZE

Intelligent one touch sizing options ranging from 15ml to 240ml



DESIGNATED OUTLETS

Separate hot water outlets for tea, steam and wand for foam art and heating



4 LARGE HOPPERS

2 x coffee hopper
2 x powder hopper



DUAL OUTPUT

Makes Espresso, Americano, Cappuccino, Latte, Hot Water and Hot Milk.



MILK SYSTEM

Coffee and milk/foam can be made simultaneously for high efficiency.



WIFI CONNECTIVITY

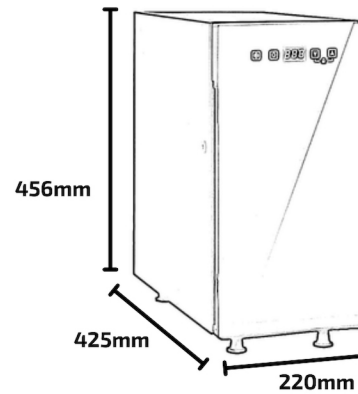
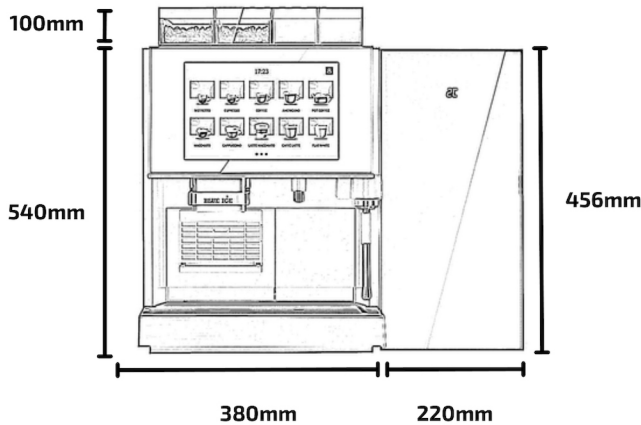
Wifi connects IOT platform to monitor real time activity

HIGH END **AUTOMATIC BEAN TO CUP MACHINE** WITH
VARIED DRINK OPTIONS. PLUS INTELLIGENT ONE TOUCH
SERVING CONTROL

MAXIMISE YOUR PROFITS

AZZURRI PREMIUM PRO

FULLY AUTOMATIC BEAN TO CUP COFFEE MACHINE



AZZURRI PREMIUM PRO SPECIFICATIONS & FEATURES

Colours.....Black
Water Tank.....4L
Output Capacity.....150 per day

Weight

Net.....28kg

Dimensions

Coffee Machine Width.....380mm
Coffee Machine Depth.....560mm
Coffee Machine Height.....550mm
Fridge Width.....220mm
Fridge Depth.....452mm
Fridge Height.....456mm

Electrical

.....13 AMP 50-60hz
Heating Power.....1400 Watts

- Computerised Control System
- Easy and Fast preparation
- Display drink options on screen
- Customised drink options
- Control coffee strength
- Control water quantity
- Integrated cleaning and rinsing programs for ease of cleaning and hygiene
- Pre-Brewing System
- Optional MOB protocol for payment system
- Two thermo block heating system

Water filter requirement to maintain warranty:
Change every 2 months

T400 FRIDGE SPECIFICATIONS

Rated Power	Temperature Range	Inner Capacity	Milk Hole Size	Sound	Dimensions	Carton Dimensions	Weight
61W	0-4 Degrees Celsius	8L	7mm	< 45db	220*452*456	290*530*525	14kg