

MODEL T132-2

FROZEN CARBONATED SLUSH MACHINES



High output, dual flavour carbonated frozen slush machine.



CARBONATION

Inline Carbonation™ – creates a more consistent over-run, quality, and yield.



DIGITAL CONTROL AND DISPLAY

Electronic simplicity offers easy-to-use keypad interface.



FLEXIBLE PLACEMENT

Optimal use of counter space with minimum ventilation of two inches on the sides and back.



FLAVOUR OPTIONS

Customizable individual barrels allow for hundreds of different drink profile combinations, including sugar-free options.



LOW OPERATING COST

Smallest and most cost-effective carbonated beverage dispenser on the market.



FOOTFALL

Ideal for low-volume locations with limited space

OPTIONAL ACCESSORIES



Base Cart with Casters



Painted Sheet Metal



Install Kit



Leg Kit (set of four)



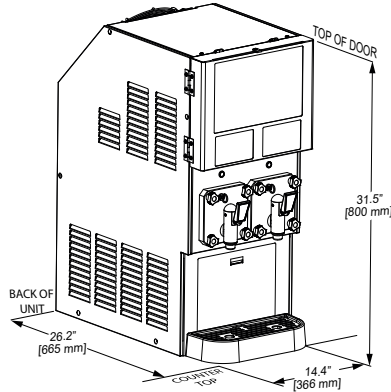
BIB Rack

**THE INDUSTRY'S #1 MOST PROFITABLE AND TRUSTED
CARBONATED SLUSH DISPENSERS**

MAXIMISE YOUR PROFITS

MODEL T132-2

FROZEN CARBONATED SLUSH MACHINES



SPECIFICATIONS

Flavours	2
Barrels	2x 128 oz (3,785 mL)
Output Capacity	132 (10oz) /hr
Clearance Requirements	Sides and Back: 2 in. (51 mm) Minimum. Top: 12 in. (305 mm) Minimum (from unit top panel)

*Will require to be plumbed into the water mains

WEIGHT	KG/LB	
Empty Unit	75 kg	
DIMENSIONS	NET (IN/MM)	SHIPPING (MM/IN)
Width	14.4 /366	NA
Depth	26.2 /665	NA
Height:	31.5 in/800 mm	
ELECTRICAL	AMP	WATTS
	13	NA

WATER, CO2 AND SYRUP REQUIREMENTS

Water System Input	3/8" Sply Line, 30 PSIG Flow (min)
CO2 System Input	70 - 72 PSIG (maximum)
Syrup	Input: 70 - 72 PSIG (482-496 kPag) Bag-In-Box (BIB) Connections, (2) Base Syrups

FEATURES

- ✓ MANUFACTURED TO THE HIGHEST SPEC FOR RETAILERS WITH STEADY FOOT TRAFFIC WHO NEED TO GENERATE HIGH MARGINS WITH MINIMAL COUNTER SPACE
- ✓ SMALLEST FOOTPRINT IN THE INDUSTRY WITH ENOUGH CAPACITY TO ENSURE YOU HAVE PLENTY PRODUCT TO HANDLE THOSE BUSY TIMES.
- ✓ DESIGNED WITH INNOVATIONS TO ALLOW EASY ACCESSIBILITY TO MAXIMISE UPTIME.
- ✓ COMPETITIVELY PRICES TO ALLOW OWNERSHIP AND TRANSPARENCY OF COSTINGS
- ✓ PROFIT DRIVER IN ALL HOSPITALITY SECTORS INCLUDING LEISURE, EDUCATIONAL, CONVENIENCE, RETAIL, RESTAURANTS, COFFEE SHOPS, FAST FOOD, PUBS & BARS
- ✓ SUITABLE FOR ALCOHOL AND NON-ALCOHOLIC CARBONATED SLUSH DRINKS

BLUE ICE MACHINES LTD

Lea Road trading Estate, Lea Rd, Waltham Cross, London, Waltham Abbey EN9 1AE

020 8801 6919

info@blueicecreammachine.co.uk
www.blueicecreammachine.co.uk